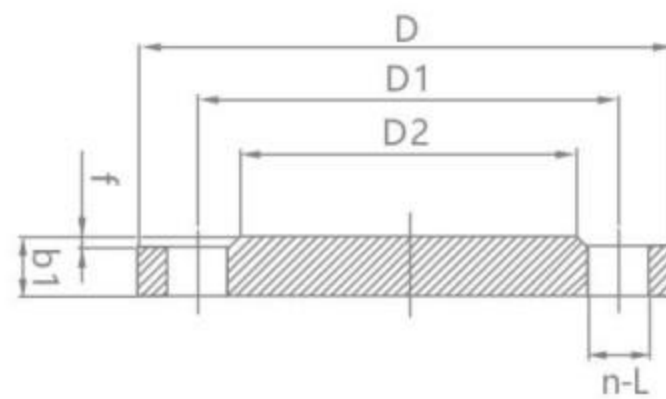
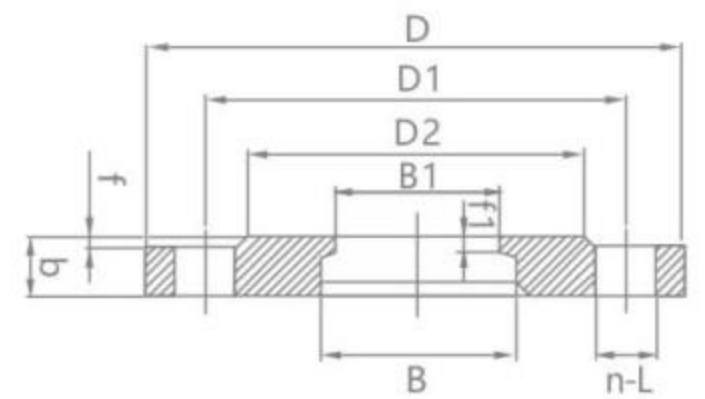


平焊法兰 Flat welding flange



法兰盖 Flange cover



蝶阀法兰 Butterfly valve flange

(mm)

| 法兰通径 DN | JB/ T81-59/HG5010-58 | | | | | | | | | 螺栓孔 中心距 D1 | 螺栓孔 直径 L | 螺栓孔 数量 n |
|------------------------|----------------------|-------|------|-------|-------|------|-------|-------|---|------------------|----------------|----------------|
| | 法兰外径 D | 法兰内径B | | 内凸圆直径 | 内凸圆厚度 | 法兰厚度 | 法兰盖厚度 | 密封面尺寸 | | | | |
| | D | A管 | B管 | B1 | f1 | b | b1 | D2 | f | | | |
| Pg=6公斤/厘米 ² | | | | | | | | | | | | |
| 10 | 75 | 18 | 15 | - | - | 12 | 12 | 32 | 2 | 50 | 12 | 4 |
| 15 | 80 | 22 | 19 | - | - | 12 | 12 | 40 | 2 | 55 | 12 | 4 |
| 20 | 90 | 27.5 | 26 | - | - | 14 | 12 | 50 | 2 | 65 | 12 | 4 |
| 25 | 100 | 34.5 | 33 | - | - | 14 | 12 | 60 | 2 | 75 | 12 | 4 |
| 32 | 120 | 43.5 | 39 | - | - | 16 | 12 | 70 | 2 | 90 | 14 | 4 |
| 40 | 130 | 49.5 | 46 | 40 | 4 | 16 | 14 | 80 | 3 | 100 | 14 | 4 |
| 50 | 140 | 61.5 | 59 | 50 | 4 | 16 | 14 | 90 | 3 | 110 | 14 | 4 |
| 65 | 160 | 77.5 | 78 | 65 | 4 | 16 | 14 | 110 | 3 | 130 | 14 | 4 |
| 80 | 185 | 90.5 | 91 | 80 | 4 | 18 | 14 | 125 | 3 | 150 | 18 | 4 |
| 100 | 205 | 116 | 110 | 100 | 4 | 18 | 14 | 145 | 3 | 170 | 18 | 4 |
| 125 | 235 | 141.5 | 135 | 125 | 4 | 20 | 16 | 175 | 3 | 200 | 18 | 8 |
| 150 | 260 | 170.5 | 161 | 150 | 4 | 20 | 16 | 200 | 3 | 225 | 18 | 8 |
| 175 | 290 | - | 196 | - | 5 | 22 | 16 | 230 | 3 | 255 | 18 | 8 |
| 200 | 315 | 221.5 | 222 | 208 | 6 | 22 | 16 | 255 | 3 | 280 | 18 | 8 |
| 225 | 340 | - | 248 | - | 6 | 22 | 16 | 280 | 3 | 305 | 18 | 8 |
| 250 | 370 | 276.5 | 276 | 255 | 7 | 24 | 16 | 310 | 3 | 335 | 18 | 12 |
| 300 | 435 | 327.5 | 328 | 308 | 7 | 24 | 18 | 362 | 4 | 395 | 23 | 12 |
| 350 | 485 | 359.5 | 380 | 340 | 8 | 26 | 18 | 412 | 4 | 445 | 23 | 12 |
| 400 | 535 | 411 | 430 | 408 | 8 | 28 | 20 | 462 | 4 | 495 | 23 | 16 |
| 450 | 590 | 462 | 484 | 455 | 8 | 28 | 22 | 518 | 4 | 550 | 23 | 16 |
| 500 | 640 | 513.5 | 534 | 505 | 9 | 30 | 24 | 568 | 4 | 600 | 23 | 16 |
| 600 | 755 | 616.5 | 634 | 605 | 9 | 30 | 28 | 670 | 5 | 705 | 25 | 20 |
| 700 | 860 | 715 | 724 | 705 | 9 | 32 | 32 | 775 | 5 | 810 | 25 | 24 |
| 800 | 975 | 817 | 824 | 810 | 9 | 32 | 36 | 880 | 5 | 920 | 30 | 24 |
| 900 | 1075 | 918 | 924 | 900 | - | 34 | 40 | 980 | 5 | 1020 | 30 | 24 |
| 1000 | 1175 | 1020 | 1024 | 1000 | 10 | 36 | 44 | 1080 | 5 | 1120 | 30 | 28 |
| 1200 | 1400 | 1223 | 1224 | 1200 | 10 | 40 | 60 | 1295 | 5 | 1340 | 34 | 32 |
| 1400 | 1620 | 1426 | 1424 | 1400 | 12 | 44 | 68 | 1510 | 5 | 1560 | 34 | 36 |
| 1500 | 1720 | - | 1524 | 1500 | 12 | 46 | - | 1610 | 5 | 1660 | 34 | 36 |
| 1600 | 1820 | 1630 | 1624 | 1600 | 14 | 48 | 76 | 1710 | 5 | 1760 | 34 | 40 |
| 1800 | 2045 | 1833 | 1824 | 1800 | - | 50 | 84 | 1910 | 5 | 1970 | 41 | 44 |
| 2000 | 2265 | 2036 | 2024 | 2000 | - | 54 | 92 | 2110 | 5 | 2180 | 48 | 48 |
| 2200 | 2475 | - | 2224 | 2200 | - | 60 | - | 2330 | 6 | 2390 | 48 | 52 |
| 2400 | 2685 | - | 2424 | - | - | 62 | - | 2540 | 6 | 2600 | 48 | 56 |
| 2600 | 2900 | - | 2624 | - | - | 64 | - | 2740 | 6 | 2850 | 48 | 60 |
| 2800 | 3110 | - | 2824 | - | - | 68 | - | 2950 | 6 | 3020 | 48 | 64 |
| 3000 | 3310 | - | 3024 | - | - | 70 | - | 3150 | 6 | 3220 | 48 | 68 |
| 3200 | 3520 | - | 3224 | - | - | 76 | - | 3360 | 6 | 3430 | 48 | 72 |
| 3400 | 3730 | - | 3424 | - | - | 80 | - | 3570 | 6 | 3640 | 48 | 76 |
| 3600 | 3970 | - | 3624 | - | - | 84 | - | 3780 | 6 | 3860 | 56 | 80 |

(mm)

| 法兰通径 DN | JB/ T81-59/HG5010-58 | | | | | | | | | 螺栓孔 中心距 D1 | 螺栓孔 直径 L | 螺栓孔 数量 n |
|-------------------------|----------------------|-------|------|-------------|-------------|-----------|-------------|-------|---|------------------|----------------|----------------|
| | 法兰外径 D | 法兰内径B | | 内凸圆直径 B1 | 内凸圆厚度 f1 | 法兰厚度 b | 法兰盖厚度 b1 | 密封面尺寸 | | | | |
| | | A管 | B管 | | | | | D2 | f | | | |
| Pg=10公斤/厘米 ² | | | | | | | | | | | | |
| 10 | 90 | 18 | 15 | - | - | 12 | 12 | 40 | 2 | 60 | 14 | 4 |
| 15 | 95 | 22 | 19 | - | - | 12 | 12 | 45 | 2 | 65 | 14 | 4 |
| 20 | 105 | 27.5 | 26 | - | - | 14 | 12 | 55 | 2 | 75 | 14 | 4 |
| 25 | 115 | 34.5 | 33 | - | - | 14 | 12 | 65 | 2 | 85 | 14 | 4 |
| 32 | 135 | 43.5 | 39 | - | - | 16 | 12 | 78 | 2 | 100 | 18 | 4 |
| 40 | 145 | 49.5 | 46 | 40 | 4 | 18 | 14 | 85 | 3 | 110 | 18 | 4 |
| 50 | 160 | 61.5 | 59 | 50 | 4 | 18 | 14 | 100 | 3 | 125 | 18 | 4 |
| 65 | 180 | 77.5 | 78 | 65 | 4 | 20 | 14 | 120 | 3 | 145 | 18 | 4 |
| 80 | 195 | 90.5 | 91 | 80 | 4 | 20 | 14 | 135 | 3 | 160 | 18 | 4 |
| 100 | 215 | 116 | 110 | 100 | 4 | 22 | 14 | 155 | 3 | 180 | 18 | 8 |
| 125 | 245 | 141.5 | 135 | 125 | 4 | 24 | 16 | 185 | 3 | 210 | 18 | 8 |
| 150 | 280 | 170.5 | 161 | 150 | 4 | 24 | 16 | 210 | 3 | 240 | 23 | 8 |
| 175 | 310 | - | 196 | - | 5 | 24 | 16 | 240 | 3 | 270 | 23 | 8 |
| 200 | 335 | 221.5 | 222 | 208 | 5 | 24 | 16 | 265 | 3 | 295 | 23 | 8 |
| 225 | 365 | - | 248 | - | 6 | 24 | 18 | 295 | 3 | 325 | 23 | 8 |
| 250 | 390 | 276.5 | 276 | 255 | 6 | 26 | 18 | 320 | 3 | 350 | 23 | 12 |
| 300 | 440 | 327.5 | 328 | 308 | 6 | 28 | 20 | 368 | 4 | 400 | 23 | 12 |
| 350 | 500 | 359.5 | 380 | 340 | 7 | 28 | 24 | 428 | 4 | 460 | 23 | 16 |
| 400 | 565 | 411 | 430 | 408 | 7 | 30 | 26 | 482 | 4 | 515 | 25 | 16 |
| 450 | 615 | 462 | 484 | 455 | 7 | 30 | 28 | 532 | 4 | 565 | 25 | 20 |
| 500 | 670 | 513.5 | 534 | 505 | 8 | 32 | 32 | 585 | 4 | 620 | 25 | 20 |
| 600 | 780 | 616.5 | 634 | 605 | 8 | 36 | 36 | 685 | 5 | 725 | 30 | 20 |
| 700 | 895 | 715 | 724 | 705 | 9 | 38 | 42 | 800 | 5 | 840 | 30 | 24 |
| 800 | 1010 | 817 | 824 | 810 | 9 | 40 | 48 | 905 | 5 | 950 | 34 | 24 |
| 900 | 1110 | 918 | 924 | 900 | 9 | 44 | 54 | 1005 | 5 | 1050 | 34 | 28 |
| 1000 | 1220 | 1020 | 1024 | 1000 | 9 | 48 | 58 | 1115 | 5 | 1160 | 34 | 28 |
| 1200 | 1450 | 1223 | 1224 | 1200 | 10 | 52 | - | 1325 | 5 | 1380 | 41 | 32 |
| 1400 | 1675 | 1426 | 1424 | 1400 | 10 | 62 | - | 1525 | 5 | 1590 | 48 | 36 |
| 1600 | 1915 | 1630 | 1624 | 1600 | 12 | 63 | - | 1750 | 5 | 1820 | 54 | 40 |
| 1800 | 2115 | 1833 | 1824 | 1800 | 12 | 70 | - | 1950 | 5 | 2020 | 54 | 44 |
| 2000 | 2325 | 2036 | 2024 | 2000 | 14 | 74 | - | 2160 | 5 | 2230 | 54 | 48 |

(mm)

| 法兰通径 DN | JB/ T81-59/HG5010-58 | | | | | | | | | 螺栓孔 中心距 D1 | 螺栓孔 直径 L | 螺栓孔 数量 n |
|-------------------------|----------------------|-------|------|-------|-------|------|-------|-------|---|------------------|----------------|----------------|
| | 法兰外径 | 法兰内径B | | 内凸圆直径 | 内凸圆厚度 | 法兰厚度 | 法兰盖厚度 | 密封面尺寸 | | | | |
| | D | A管 | B管 | B1 | f1 | b | b1 | D2 | f | | | |
| Pg=16公斤/厘米 ² | | | | | | | | | | | | |
| 10 | 90 | 18 | 15 | - | - | 14 | 12 | 40 | 2 | 60 | 14 | 4 |
| 15 | 95 | 22 | 19 | - | - | 14 | 12 | 45 | 2 | 65 | 14 | 4 |
| 20 | 105 | 27.5 | 26 | - | - | 16 | 12 | 55 | 2 | 75 | 14 | 4 |
| 25 | 115 | 34.5 | 33 | - | - | 18 | 12 | 65 | 2 | 85 | 14 | 4 |
| 32 | 135 | 43.5 | 39 | - | - | 18 | 12 | 78 | 2 | 100 | 18 | 4 |
| 40 | 145 | 49.5 | 46 | 40 | 4 | 20 | 14 | 85 | 3 | 110 | 18 | 4 |
| 50 | 160 | 61.5 | 59 | 50 | 4 | 22 | 14 | 100 | 3 | 125 | 18 | 4 |
| 65 | 180 | 77.5 | 78 | 65 | 4 | 24 | 14 | 120 | 3 | 145 | 18 | 4 |
| 80 | 195 | 90.5 | 91 | 80 | 4 | 24 | 14 | 135 | 3 | 160 | 18 | 8 |
| 100 | 215 | 116 | 110 | 100 | 4 | 26 | 16 | 155 | 3 | 180 | 18 | 8 |
| 125 | 245 | 141.5 | 135 | 125 | 4 | 28 | 16 | 185 | 3 | 210 | 18 | 8 |
| 150 | 280 | 170.5 | 161 | 150 | 4 | 28 | 18 | 210 | 3 | 240 | 23 | 8 |
| 175 | 310 | - | 196 | - | 5 | 28 | 18 | 240 | 3 | 270 | 23 | 8 |
| 200 | 335 | 221.5 | 222 | 208 | 5 | 30 | 20 | 265 | 3 | 295 | 23 | 12 |
| 225 | 365 | - | 248 | - | 6 | 30 | 22 | 295 | 3 | 325 | 23 | 12 |
| 250 | 405 | 276.5 | 276 | 255 | 6 | 32 | 24 | 320 | 3 | 355 | 25 | 12 |
| 300 | 460 | 327.5 | 328 | 308 | 6 | 32 | 28 | 375 | 4 | 410 | 25 | 12 |
| 350 | 520 | 359.5 | 380 | 340 | 7 | 34 | 32 | 435 | 4 | 470 | 25 | 16 |
| 400 | 580 | 411 | 430 | 405 | 7 | 38 | 36 | 485 | 4 | 525 | 30 | 16 |
| 450 | 640 | 462 | 484 | 455 | 8 | 42 | 42 | 550 | 4 | 585 | 30 | 20 |
| 500 | 705 | 513.5 | 534 | 505 | 8 | 48 | 46 | 608 | 4 | 650 | 34 | 20 |
| 600 | 840 | 616.5 | 634 | 605 | 8 | 50 | 50 | 718 | 5 | 770 | 41 | 20 |
| 700 | 910 | 715 | 724 | 705 | 9 | 50 | - | 788 | 5 | 840 | 41 | 24 |
| 800 | 1020 | 817 | 824 | 810 | 9 | 52 | - | 898 | 5 | 950 | 41 | 24 |
| 900 | 1120 | 918 | 924 | 900 | 10 | 44 | - | 998 | 5 | 1050 | 41 | 28 |
| 1100 | 1370 | - | 1124 | 1100 | 10 | 50 | - | 1222 | 5 | 1280 | 42 | 28 |
| 1200 | 1485 | 1223 | 1224 | 1200 | 10 | 52 | - | 1325 | 5 | 1390 | 54 | 32 |
| 1400 | 1685 | 1426 | 1424 | 1400 | 12 | 58 | - | 1525 | 5 | 1590 | 54 | 36 |
| 1600 | 1930 | 1630 | 1624 | 1600 | 14 | 64 | - | 1750 | 5 | 1820 | 58 | 40 |
| 1800 | 2130 | 1833 | 1824 | 1800 | 16 | 68 | - | 1950 | 5 | 2020 | 58 | 44 |
| 2000 | 2345 | 2036 | 2024 | 2000 | 18 | 70 | - | 2150 | 5 | 2230 | 62 | 48 |



(mm)

| 法兰通径 DN | JB/ T81-59/HG5010-58 | | | | | | | | | 螺栓孔 中心距 D1 | 螺栓孔 直径 L | 螺栓孔 数量 n |
|-------------------------|----------------------|-------|------|-------|-------|------|-------|-------|---|------------------|----------------|----------------|
| | 法兰外径 | 法兰内径B | | 内凸圆直径 | 内凸圆厚度 | 法兰厚度 | 法兰盖厚度 | 密封面尺寸 | | | | |
| | D | A管 | B管 | B1 | f1 | b | b1 | D2 | f | | | |
| Pg=25公斤/厘米 ² | | | | | | | | | | | | |
| 10 | 90 | 18 | 15 | - | - | 16 | 12 | 40 | 2 | 60 | 14 | 4 |
| 15 | 95 | 22 | 19 | - | - | 16 | 12 | 45 | 2 | 65 | 14 | 4 |
| 20 | 105 | 27.5 | 26 | - | - | 18 | 12 | 55 | 2 | 75 | 14 | 4 |
| 25 | 115 | 34.5 | 33 | - | - | 18 | 12 | 65 | 2 | 85 | 14 | 4 |
| 32 | 135 | 43.5 | 39 | - | - | 20 | 12 | 78 | 2 | 100 | 18 | 4 |
| 40 | 145 | 49.5 | 46 | 40 | 4 | 22 | 14 | 85 | 3 | 110 | 18 | 4 |
| 50 | 160 | 61.5 | 59 | 50 | 4 | 24 | 14 | 100 | 3 | 125 | 18 | 4 |
| 65 | 180 | 77.5 | 78 | 65 | 4 | 24 | 16 | 120 | 3 | 145 | 18 | 8 |
| 80 | 195 | 90.5 | 91 | 80 | 4 | 26 | 18 | 135 | 3 | 160 | 18 | 8 |
| 100 | 230 | 116 | 110 | 100 | 4 | 28 | 20 | 160 | 3 | 190 | 23 | 8 |
| 125 | 270 | 141.5 | 135 | 125 | 4 | 30 | 22 | 188 | 3 | 220 | 25 | 8 |
| 150 | 300 | 170.5 | 161 | 150 | 4 | 30 | 24 | 218 | 3 | 250 | 25 | 8 |
| 175 | 330 | - | 196 | - | 5 | 32 | 24 | 248 | 3 | 280 | 25 | 12 |
| 200 | 360 | 221.5 | 222 | 208 | 6 | 32 | 26 | 278 | 3 | 310 | 25 | 12 |
| 225 | 395 | - | 248 | - | 6 | 34 | 28 | 302 | 3 | 340 | 30 | 12 |
| 250 | 425 | 276.5 | 276 | 255 | 7 | 34 | 30 | 332 | 3 | 370 | 30 | 12 |
| 300 | 485 | 327.5 | 328 | 308 | 7 | 36 | 34 | 390 | 4 | 430 | 30 | 16 |
| 350 | 550 | 359.5 | 380 | 340 | 8 | 42 | 38 | 448 | 4 | 490 | 34 | 16 |
| 400 | 610 | 411 | 430 | 408 | 8 | 44 | 42 | 505 | 4 | 550 | 34 | 16 |
| 450 | 660 | 462 | 484 | 455 | 8 | 48 | 46 | 555 | 4 | 600 | 34 | 20 |
| 500 | 730 | 513.5 | 534 | 505 | 9 | 52 | 48 | 610 | 4 | 660 | 41 | 20 |
| 600 | 840 | 616.5 | 634 | 605 | 9 | 56 | 58 | 718 | 5 | 770 | 41 | 20 |
| 700 | 955 | 715 | 724 | 705 | 9 | 60 | - | 815 | 5 | 870 | 48 | 24 |
| 800 | 1070 | 817 | 824 | 810 | 9 | 64 | - | 930 | 5 | 990 | 48 | 24 |
| 900 | 1180 | 918 | 924 | 900 | - | 66 | - | 1025 | 5 | 1090 | 54 | 28 |
| 1000 | 1320 | 1020 | 1024 | 1000 | 10 | 68 | - | 1140 | 5 | 1210 | 58 | 28 |
| 1200 | 1525 | 1223 | 1224 | 1200 | 12 | 72 | - | 1350 | 5 | 1420 | 58 | 32 |
| 1400 | 1750 | 1426 | 1424 | 1400 | 12 | 78 | - | 1560 | 5 | 1640 | 62 | 36 |
| 1600 | 1975 | 1630 | 1624 | 1600 | 14 | 84 | - | 1780 | 5 | 1860 | 62 | 40 |
| 1800 | 2195 | 1833 | 1824 | 1800 | - | 90 | - | 1985 | 5 | 2070 | 70 | 44 |
| 2000 | 2425 | 2036 | 2024 | 2000 | - | 96 | - | 2210 | 5 | 2300 | 70 | 48 |